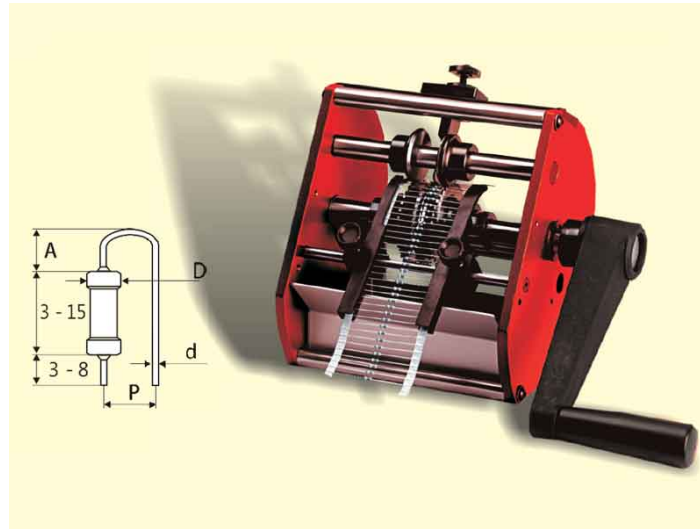


SUPERFORM/V-LC PREFORMING MACHINE (AXIAL COMPONENTS FOR VERTICAL MOUNT)



SKU: 149831A



MANUAL PREFORMING MACHINE SUPERFORM V/LC

Superform V/LC is a machine developed for **cutting and bending axial taped components for vertical mounting**. Economic, manual machine designed for small productions. Can not be motorized.

ATTENTION: The tape reel holder with handle is NOT included (El.Mi product number: 147218A).

Cutting and bending adjustable dimensions:

P		d		A		D
fix.	min.	max.	min.	max.	max.	
2.54	0.5	0.8	2	6	3	