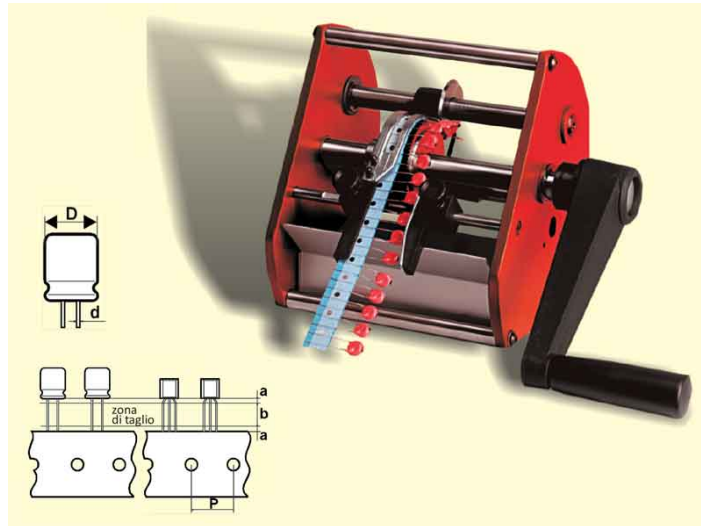


# SUPERFORM/R-LC CUTTING MACHINE FOR RADIAL TAPED COMPONENTS



SKU: 149543A



## MANUAL CUTTING MACHINE SUPERFORM/R-LC

**Superform/R-LC is a machine made for cutting radial taped components** such as capacitors, transistors and stand-off resistors.

Economic, manual machine, developed for small productions. Can not be motorized.

Step of the tape (P): **12.7 mm**.

ATTENTION: Tape reel holder with handle NOT included (El.Mi product Nr.: 147218A).

### Cutting adjustable dimensions:

	a	b	d	D
<b>Min. (mm)</b>	2	-	0.4	-
<b>Max. (mm)</b>	-	8	1	14