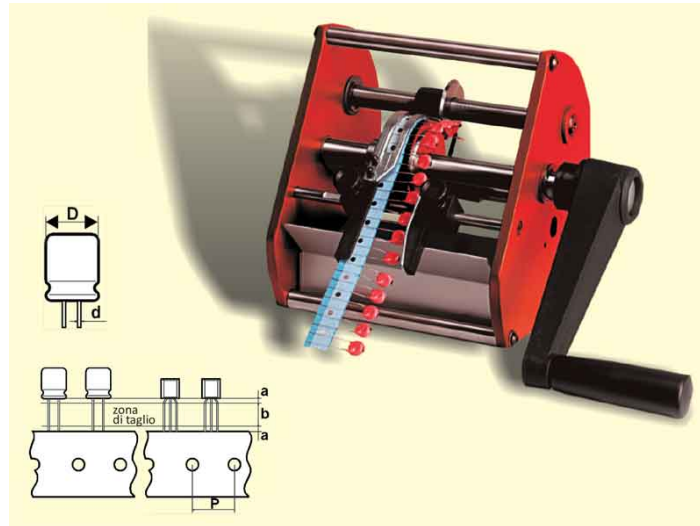


SUPERFORM/R-LC CUTTING MACHINE FOR RADIAL TAPED COMPONENTS



SKU: 149543A



MANUAL CUTTING MACHINE SUPERFORM/R-LC

Superform/R-LC is a machine made for cutting radial taped components such as capacitors, transistors and stand-off resistors.

Economic, manual machine, developed for small productions. Can not be motorized.

Step of the tape (P): **12.7 mm**.

ATTENTION: Tape reel holder with handle NOT included (El.Mi product Nr.: 147218A).

Cutting adjustable dimensions:

	a	b	d	D
Min. (mm)	2	-	0.4	-
Max. (mm)	-	8	1	14