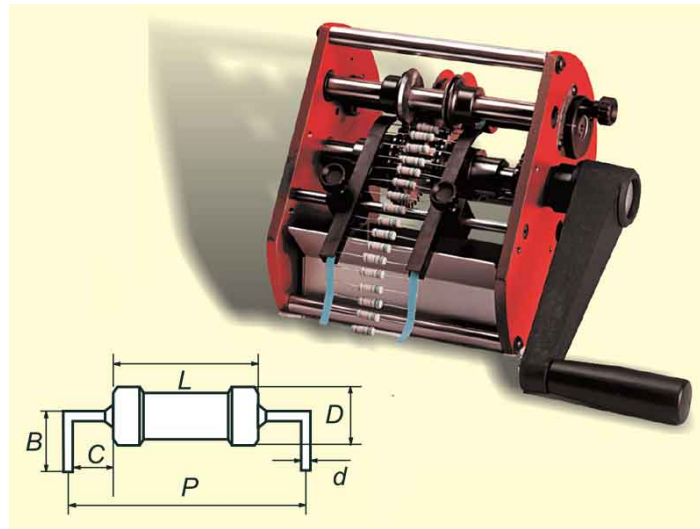


## SUPERFORM/A-LC PREFORMING MACHINE



SKU: 149-ALC



### MANUAL PREFORMING MACHINE SUPERFORM A/LC

**Superform A/LC is a machine made for cutting and bending axial taped components.** Extremely compact and sturdy, can form components with **rheophore up to 1.4 mm**. The independently adjustable tracking wheels allow a rapid setup at different forms. Economic, manual machine, designed for small productions. Can not be motorized.

**Available variants:** Standard version, Version with strengthened bended knives.

**ATTENTION:** The tape reel holder with handle is NOT included (El.Mi product Nr.: 147218A).

#### Cutting and bending adjustable dimensions:

	B		P		C		D		d		L
	min.	max.	min.	max.	min.	max.	min.	max.	min.	max.	max.
<b>Standard</b>	4	13	6.5	60	1.2	16	0.4	1.3			50
<b>Reinforced knives</b>	5	13	10.5	60	2.4	16	0.6	1.4			50



## VARIATIONS

SKU	Description	Configurazione
149663A		Reinforced bending knives
149542A		Standard