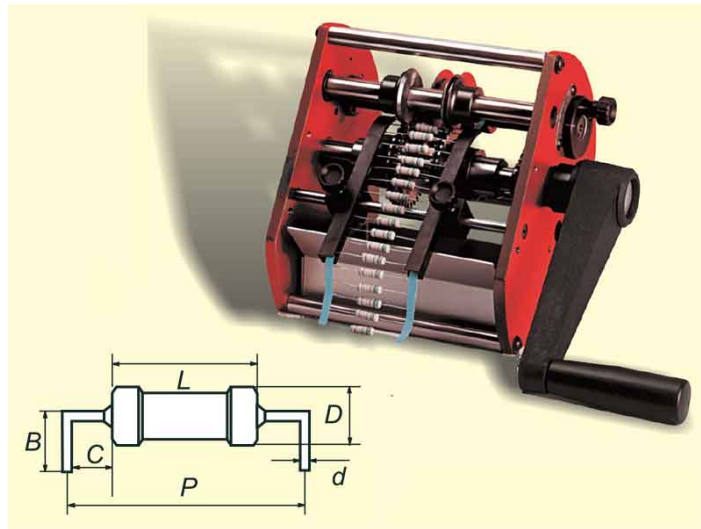


## SUPERFORM/A-LC PREFORMING MACHINE



SKU: 149-ALC



### MANUAL PREFORMING MACHINE SUPERFORM A/LC

**Superform A/LC is a machine made for cutting and bending axial taped components.** Extremely compact and sturdy, can form components with **rheophore up to 1.4 mm**. The independently adjustable tracking wheels allow a rapid setup at different forms. Economic, manual machine, designed for small productions. Can not be motorized.

**Available variants:** Standard version, Version with strengthened bended knives.

**ATTENTION:** The tape reel holder with handle is NOT included (El.Mi product Nr.: 147218A).

#### Cutting and bending adjustable dimensions:

|                          | B    |      | P    |      | C    |      | D    |      | d    |      | L    |
|--------------------------|------|------|------|------|------|------|------|------|------|------|------|
|                          | min. | max. | min. | max. | min. | max. | min. | max. | min. | max. | max. |
| <b>Standard</b>          | 4    | 13   | 6.5  | 60   | 1.2  | 16   | 0.4  | 1.3  |      |      | 50   |
| <b>Reinforced knives</b> | 5    | 13   | 10.5 | 60   | 2.4  | 16   | 0.6  | 1.4  |      |      | 50   |



## VARIATIONS

| SKU     | Description | Configurazione            |
|---------|-------------|---------------------------|
| 149663A |             | Reinforced bending knives |
| 149542A |             | Standard                  |