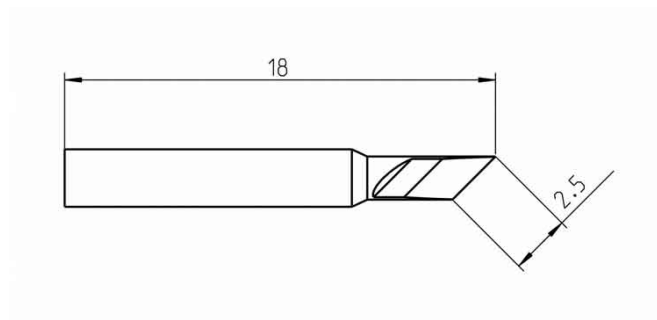


RTP025K WELLER SOLDERING TIP KNIFE (Ø2.5MM) | T0050104799



SKU: T0050104799



ORIGINAL WELLER RTP 025 K TIP

RTP 025 K - Knife shaped soldering tip Ø 2.5 mm.

RT PICO series high performance active tip, suitable for the smallest components **from XS to S** (0402 to 01005).

Short tip-to-grip distance for maximum precision.

Weller product no.: **T0050104799**.

Specifications

- For WXPP soldering iron
- Performance: 40 W
- Heating time (50-350°C): **3 sec.**
- Tip shape: Knife
- Tip diameter: Ø 2.5 mm
- Body diameter: 2.4 mm
- Length: **18 mm**
- Compliances: **IPC**



- Radiator technology: Active Tip
- UPC: 037103331656 .