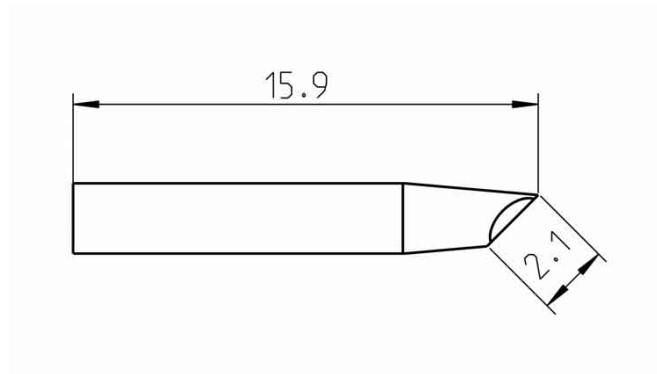


## RTP020GMS WELLER SOLDERING TIP GULLWING (Ø2.0MM) | T0050103099



SKU: T0050103099



### ORIGINAL WELLER RTP 020 G MS TIP

**RTP 020 G MS - Soldering tip for Gull Wings Ø 2.0 mm**, MIL-SPEC compliant.

**RT PICO** series high performance active tip, suitable for the smallest components **from XS to S** (0402 to 01005).

Short tip-to-grip distance for maximum precision.

Weller product no.: **T0050103099**.

### Specifications

- For WXPP MS soldering iron
- Performance: 40 W
- Heating time (50-350°C): **3 sec.**
- Tip shape: Gullwing
- Tip diameter: Ø 2.0 mm
- Body diameter: 2.4 mm
- Length: **15.9 mm**
- Compliances: **IPC, MIL-SPEC** (MIL version)



- Radiator technology: Active Tip
- UPC: 037103331687.