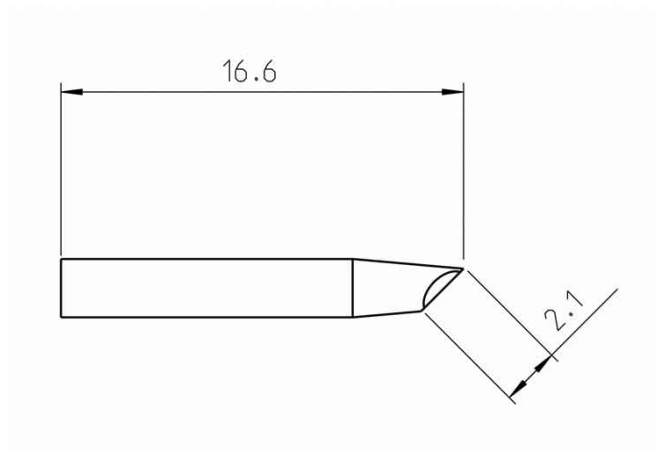


RTP020G WELLER SOLDERING TIP GULLWING (Ø2.0MM) | T0050104899



SKU: T0050104899



ORIGINAL WELLER RTP 020 G TIP

RTP 020 G - Soldering tip for Gull Wings Ø 2.0 mm.

RT PICO series high performance active tip, suitable for the smallest components **from XS to S** (0402 to 01005).

Short tip-to-grip distance for maximum precision.

Weller product no.: **T0050104899**.

Specifications

- For WXPP soldering iron
- Performance: 40 W
- Heating time (50-350°C): **3 sec.**
- Tip shape: Gullwing
- Tip diameter: Ø 2.0 mm
- Body diameter: 2.4 mm
- Length: **16.6 mm**
- Compliances: **IPC**



- Radiator technology: Active Tip
- UPC: 037103331670.