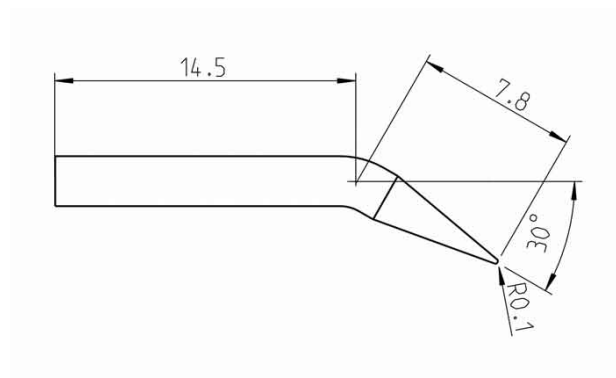


RTP002CX WELLER SOLDERING TIP CONICAL BENT 30° (Ø0.2MM) | T0050103699



SKU: T0050103699



ORIGINAL WELLER RTP 002 C X TIP

RTP 002 C X - Conical bent shaped soldering tip Ø 0.2 mm.

RT PICO series high performance active tip, suitable for the smallest components **from XS to S** (0402 to 01005).

Short tip-to-grip distance for maximum precision.

Weller product no.: **T0050103699**.

Specifications

- For WXPP soldering iron
- Performance: 40 W
- Heating time (50-350°C): **3 sec.**
- Tip shape: Conical bent - **Angle: 30°**
- Tip diameter: Ø 0.2 mm
- Body diameter: 2.4 mm
- Length: **21.3 mm**
- Compliances: **IPC**



- Radiator technology: Active Tip
- UPC: 037103331434.