

PTF35 PANEL MOUNTING FUSE HOLDER



SKU: 082877A

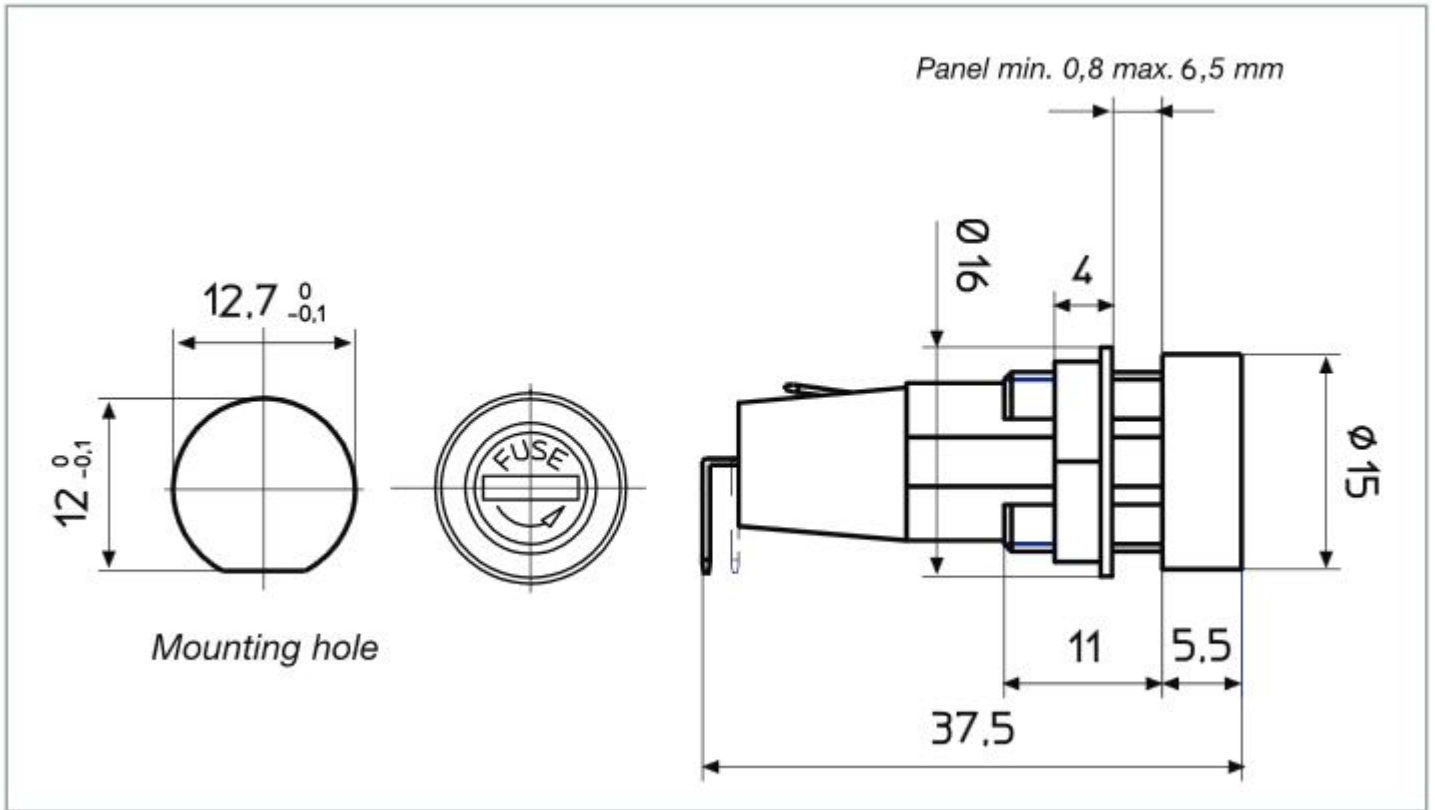


PTF35 STELVIO KONTEK FUSE HOLDER

Panel mounting fuse holder for 5x20 fuses.

Specifications

- Fuse size: 5x20mm
- Maximum current: 10A
- Rated voltage: 250V AC
- Mounting: on panel
- Operating temperature: -30...85°C
- Mounting hole diameter: \varnothing 12.7mm
- Colour: Black
- Flammability rating: UL94V-0
- Body material: thermoplastic
- Contact resistance: 5m Ω



ATTENTION!
 PRODUCT AVAILABLE UNTIL STOCK LASTS