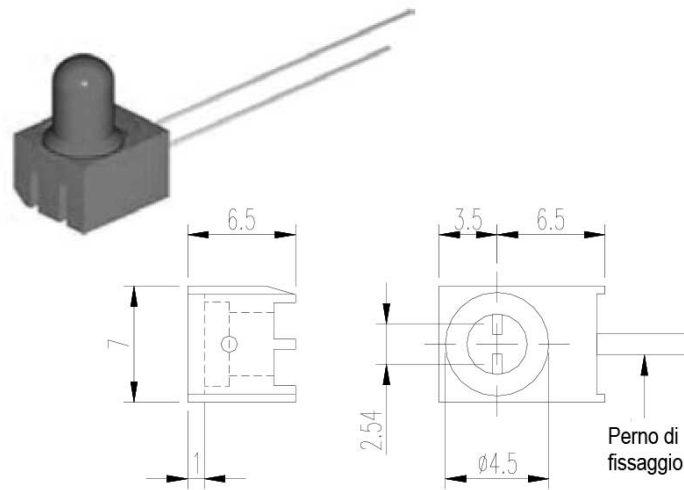


D5 - PCB LED HOLDER WITH FIXING PIN (Ø5MM)



SKU: 081594A



PCB LED HOLDER D5 MODEL

D5 PCB LED Holder with fixing pin, for LED with diameter Ø 5mm (LED not included).

Minimum order quantity: **10 pieces and multiples**.