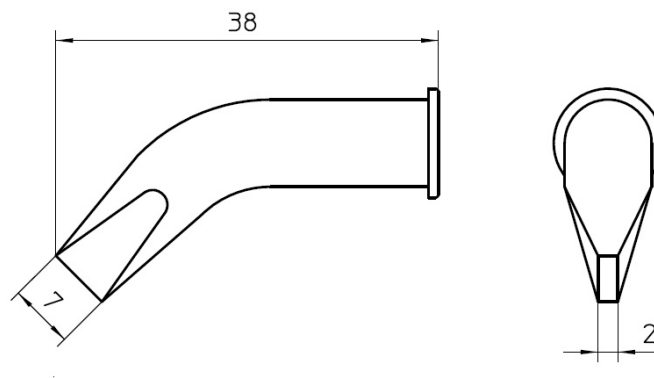
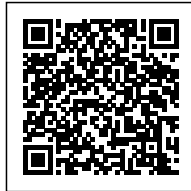


LHT EX WELLER SOLDERING TIP CHISEL BENT (7X2MM) | T0054446199



SKU: T0054446199



WELLER LHT EX SOLDERING TIP

LHT EX - Soldering tip, chisel shaped bent, for use with WSP 150 soldering iron.
Tip dimensions (Width x Thickness): $\varnothing 7 \times 2$ mm. Body diameter: 9.2 mm.
Weller product no.: **T0054446199**.