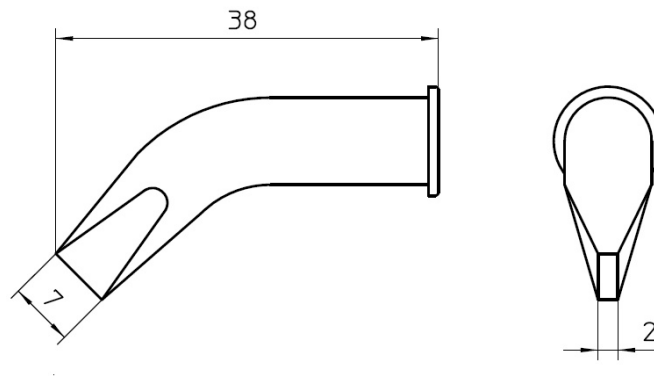
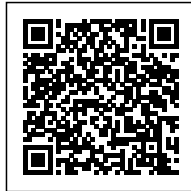


## LHT EX WELLER SOLDERING TIP CHISEL BENT (7X2MM) | T0054446199



SKU: T0054446199



### WELLER LHT EX SOLDERING TIP

**LHT EX - Soldering tip, chisel shaped bent**, for use with WSP 150 soldering iron.  
Tip dimensions (Width x Thickness):  $\varnothing 7 \times 2$  mm. Body diameter: 9.2 mm.  
Weller product no.: **T0054446199**.