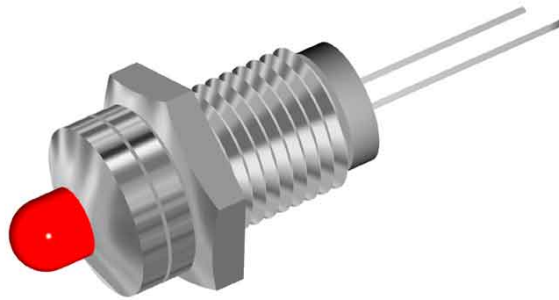


## GPL90 - LED HOLDER (Ø5MM)



SKU: 082801A



**GPL 90 - LED holder without LED**, for LED with diameter  $\varnothing$  5 mm.  
RoHS compliant - Material: Nickered brass.

**Minimum order quantity:** 100 pieces and multiples.