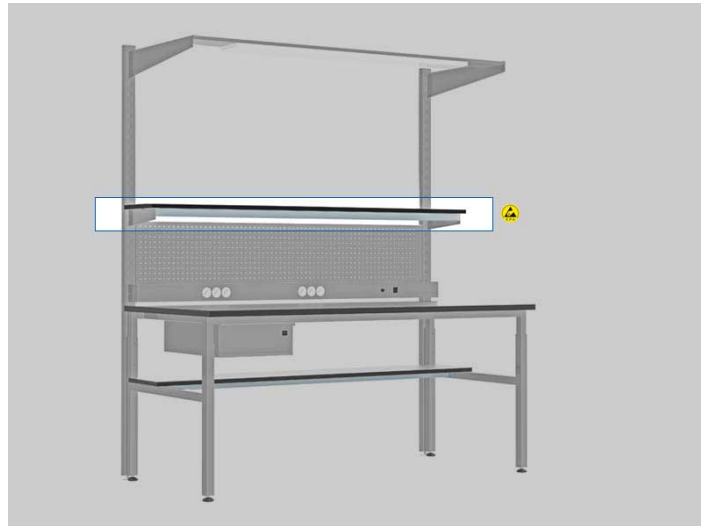


ESD UPPER SHELF KIT FOR SMART WORKBENCH (180X30CM)



SKU: 581830ESD



Anti-static ESD safe upper shelf kit for El.Mi **Smart** workbenches.

Upper shelves can be attached to the basic bench uprights every 5 cm at the desired height, **up to a maximum of 2 pieces**.

Specifications

- Dimensions: **180 x 30 cm** – Thickness: 25 mm
- Shelf material: Laminated chipboard, **static dissipative**
- Structure material: Epoxy powder coated steel
- Colour: **Light Grey** (RAL 7035).

ATTENTION | Installation is possible only by having previously installed a couple of **rear uprights** (code 580200) to the basic bench.

Product variations: Standard version, NOT ESD safe (code 581830STD).