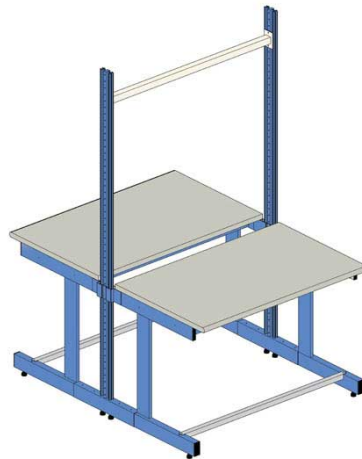
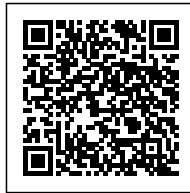


## EL.MI HD-PLUS BACK TO BACK ESD WORKBENCH 160X85CM



SKU: hdplusconesd



El.Mi HD-plus back to back Workbench Heavy Duty series.

Set equipped with:

\* Back to back structure with 160 cm width, 200 cm posts, blue and beige colour

\* 2 ESD Worktops, sizes 160x85 cm, light grey colour with blue colour brackets

In this configuration the worktops are mounted on both sides of the posts so as to obtain two workbenches at the lowest price possible.