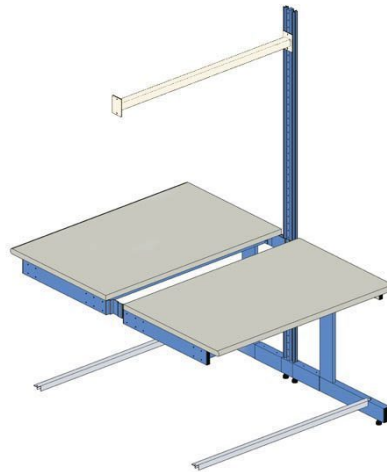


## EL.MI HD-PLUS ADDITIONAL BACK TO BACK WORKBENCH 160X85CM



SKU: hdplusconagg



El.Mi HD-plus additional back to back Workbench Heavy Duty series.

Set equipped with:

\* Additional structure with 160 cm width, 200 cm posts blu and beige colour

\* 2 Worktops, sizes 160x85 cm, light grey colour with blue colour brackets

Designed to be attached to the back to back structure (El.Mi code wbplushscon) to create four or more work benches using one of the two posts of the back to back structure.

The results are worktops perfectly allineated without any discontinuity between at a price significantly lower.