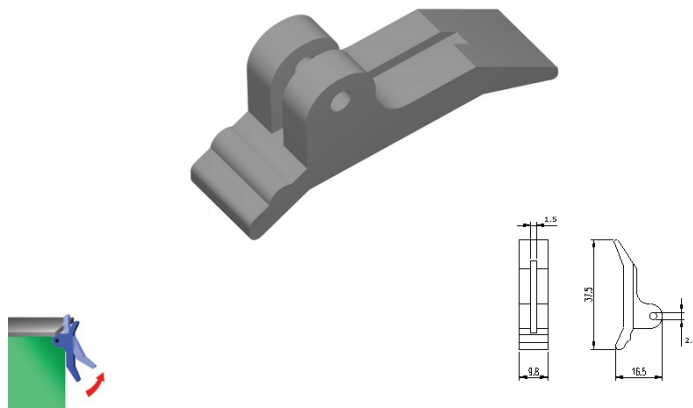


## ECS811 PCB EXTRACTOR GREY 1.5MM



SKU: 082774A



**ECS 81/1 - PCB extractor.** PCB max. thickness: **1.5 mm.**  
Material: ABS. Grey colour. RoHS compliant: Yes.  
Minimum order quantities: **100 pieces and multiples.**