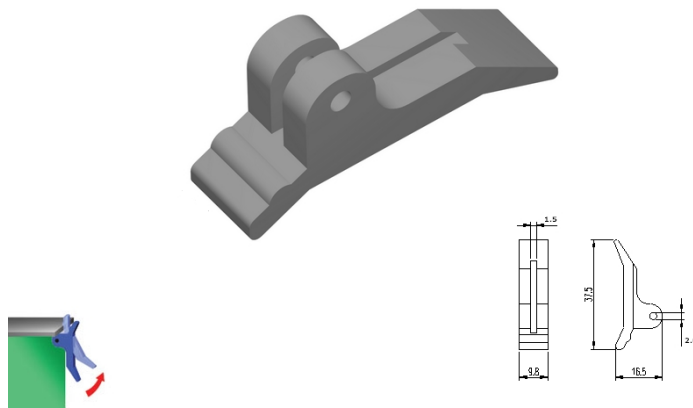


ECS811 PCB EXTRACTOR GREY 1.5MM



SKU: 082774A



ECS 81/1 - PCB extractor. PCB max. thickness: **1.5 mm.**
Material: ABS. Grey colour. RoHS compliant: Yes.
Minimum order quantities: **100 pieces and multiples.**